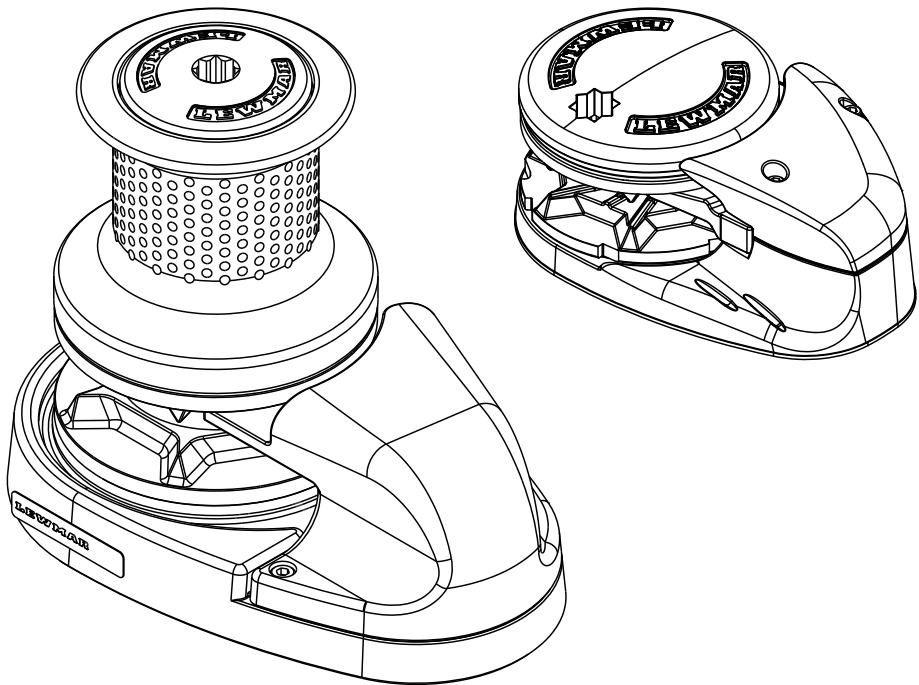


Lewmar V1-6 Windlass

65001201 Issue 7



1. Introduction

Dear Customer,

Thank you for choosing Lewmar. Lewmar products are world renowned for their quality, technical innovation and proven performance. With a Lewmar product you will be provided with many years of outstanding service.

Product support

Lewmar products are supported by a worldwide network of distributors and Authorised Service Representatives. If you encounter any difficulties with this product, please contact your national distributor, or your local Lewmar dealer. Details are available at: www.lewmar.com

CE Approvals

For CE approval certificates contact Lewmar.

Important information about this manual

Throughout this manual, you will see safety and product damage warnings. You must follow these warnings carefully to avoid possible injury or damage.

The type of warnings, what they look like, and how they are used in this manual are explained as follows:.



WARNING!

This is a warning against anything which may cause injury to people if the warning is ignored. You are informed about what you must or must not do in order to reduce the risk of injury to yourself and others.



SAFETY SYMBOL

When you see the safety symbol it means: "Do not..."; "Do not do this"; or "Do not let this happen".

2. Safety Notice



IMPORTANT: Read these notes before continuing.

2.1 Windlass general

Classification Societies and Lewmar require that a vessel at anchor must have its chain/rode held by a chain stopper or equivalent strong point at all times

At all times it is the responsibility of the boat operator to ensure that the anchor and rode are properly stowed for the prevailing sea conditions. This is particularly important with high-speed powerboats, because an anchor accidentally deploying while under way can cause considerable damage. An anchor windlass is mounted in the most exposed position on a vessel and is thus subject to severe atmospheric attack resulting in a possibility of corrosion in excess of that experienced with most other items of deck equipment. As the windlass may only be used infrequently, the risk of corrosion is further increased. It is essential that the windlass is regularly examined, operated and given any necessary maintenance.

Please ensure that you thoroughly understand the operation and safety requirements of the windlass before commencing the installation. Only persons who are completely familiar with the controls and those who have been fully made aware of the correct use of the windlass should be allowed to use it. If there is any doubt of how to install or operate this unit please seek advice from a suitably qualified engineer.

- ▶ Windlasses used incorrectly could cause harm to equipment or crew.
- ▶ Windlasses should be used with care and treated with respect.
- ▶ Boating, like many other activities can be hazardous. Even the correct selection, maintenance and use of proper equipment cannot eliminate the potential for danger, serious injury or death.
- ▶ Lewmar windlasses are designed and supplied for anchor control in marine applications and are not to be used in conjunction with any other use.
- ▶ Keep limbs, fingers, clothing and hair clear of windlass, rode and anchor during operation. Severe bodily harm could result.
- ▶ Ensure there are no swimmers or divers nearby when dropping anchor.
- ▶ Windlasses must not be used as the sole means of securing the anchor to the bow fitting especially under storm conditions. Anchors should be independently secured to prevent accidental release.
- ▶ Classification Societies require that a vessel lying at anchor must have its anchor rope/chain secured to a chain stopper or other suitable independent strong point.
- ▶ A windlass should never be used as a mooring bollard, the anchor rode **MUST** be secured to a mooring cleat, chain stopper or other designated strong point. Using the windlass to secure the rode will damage the windlass.
- ▶ Do not use windlass for ANY purpose other than deployment and recovery of anchor.
- ▶ The circuit breaker in this product must never be deactivated or otherwise bypassed, it is intended to protect the motor and cables from overheating and damage.
- ▶ Always switch off this windlass at the circuit breaker/isolator when not in use.
- ▶ It is the unavoidable responsibility of the owner, master or other responsible party to assess the risk of any operation on the vessel.
- ▶ Windlass must not be operated whilst under the influence of alcohol or drugs.

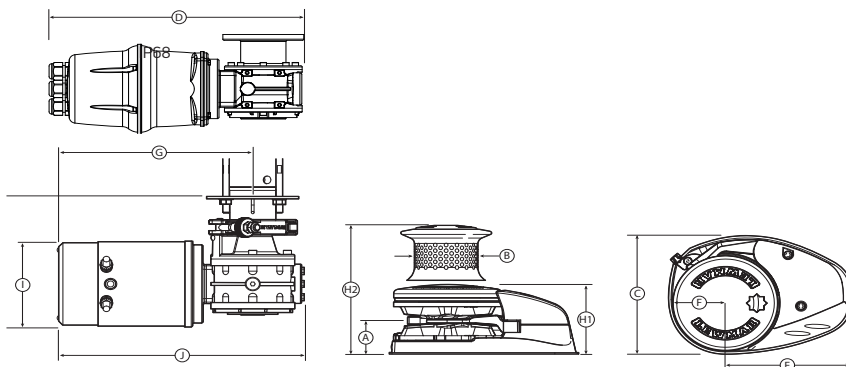
2.2 Fitting

- ▶ This equipment must be installed and operated in accordance with the instructions contained in this manual. Failure to do so could result in poor product performance, personal injury and/or damage to your boat.
- ▶ Consult the boat manufacturer if you have any doubt about the strength or suitability of the mounting location.

2.3 Electrical

- ▶ Make sure that the boat's battery power supply has been switched off before starting the installation.
- ▶ This product requires installation by a suitably qualified electrical engineer.

3. Specifications



MODEL	A		B		C		D		E		F		G		H1		H2		I		J		K	
	MM	IN	MM	IN	MM	IN	MM	IN	MM	IN	MM	IN	MM	IN	MM	IN	MM	IN	MM	IN	MM	IN	MM	IN
V1	42	1 11/16	-	-	161	6 5/16	348	13 3/4	157	6 3/16	70	2 3/4	237	9 1/2	92	3 3/8	-	-	114	4 1/2	310	12 3/16	173	6 13/16
V2	42	1 11/16	75	3	161	6 5/16	348	13 3/4	157	6 3/16	70	2 3/4	237	9 1/2	92	3 3/8	168	6 5/8	114	4 1/2	310	12 3/16	173	6 13/16
V3	42	1 11/16	75	3	161	6 5/16	348	13 3/4	157	6 3/16	70	2 3/4	237	9 1/2	92	3 3/8	168	6 5/8	114	4 1/2	315	12 3/8	173	6 13/16

MODEL	A		B		C		D		E		F		G1		G2		H		I		J	
	MM	IN	MM	IN	MM	IN	MM	IN	MM	IN	MM	IN	MM	IN	MM	IN	MM	IN	MM	IN	MM	IN
V4	51	2	91	2 7/16	188	7 7/16	185	7 1/4	89	3 1/2	277	10 7/8	107	4 1/4	215	8 7/16	112	4 7/16	366	14 7/16	156	7 5/16
V5	51	2	91	2 7/16	188	7 7/16	185	7 1/4	89	3 1/2	289	11 3/8	107	4 1/4	215	8 7/16	125	4 15/16	378	14 7/8	174	6 7/8
V6	77	3 1/32	105	4 1/8	212	8 11/32	326	12 7/8	82	3 7/32	366	14 3/8	145	5 3/4	257	10 1/8	122	4 13/16	484	19	193	7 5/8

4. Installation

4.1 Basic requirements

Each installation requires the following tools:

Windlass Installation

An appropriate marine sealant and the following:

V1-3

- ▶ 10 mm (3/8") Drill
- ▶ 14 mm (9/16") Drill
- ▶ 75 mm (3") Hole Saw

V4-5

- ▶ 12 mm (1/2") Drill
- ▶ 77 Ø 90 mm (3" Ø 4 1/2") Hole Saw

V6

- ▶ 5 mm (3/16") Drill
- ▶ 12 mm (1/2") Drill
- ▶ 115 mm (4 1/2") Hole Saw

Wiring Installation

- ▶ Crimping Pliers / Wire Stripper
- ▶ Suitable electrical cable and crimp terminals

4.2 Accessories

Use only genuine Lewmar parts and accessories to ensure top performance and eliminate the risk of voiding your warranty. For replacement parts, please visit your dealer or www.lewmar.com

4.3 Gypsy Suitability

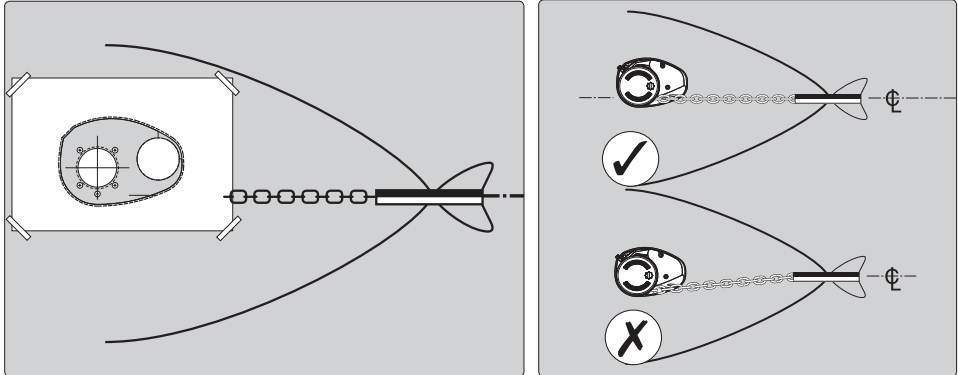
Gypsies fitted to the V1-5 range of windlasses are ideally suited to handling our factory made Rope/Chain combination rodes, which consist of rope spliced to a chain tail. The V6 range is chain only. See Specifications section for details.

Ropes used must be windlass grade, medium lay nylon. Ropes from different manufacturers have wide variations in stretch and consistency in diameter. Therefore, rope and chain from other manufacturers may require some experimentation to determine the optimum size.

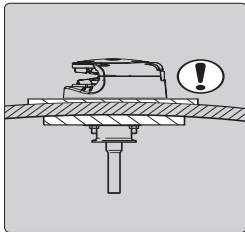
Should you have difficulty in matching a gypsy to your chain please consult your local agent or our international network of distributors.

4.4 V1-6 Above deck preparation

IMPORTANT - Plan location carefully and allow for the following:

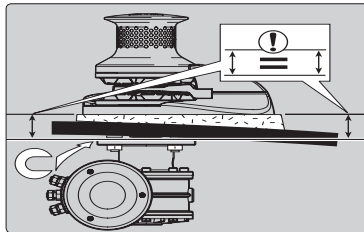


1. Make an accurate drilling template using the product dimensions from the dimension template and decide upon a position for it with reference to the vessel's bow roller and the chain locker below and the rotation of manual operating handle. If possible, select a flat area of deck.



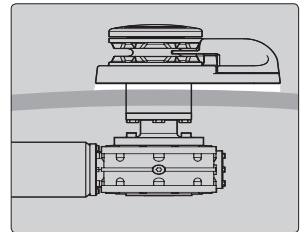
2. Models V1-3

If the deck is not flat, a suitable mounting pad may be required to take up camber or sheer.



3. Models V4-5

If a pad is required for these models, care must be taken to ensure that the windlass base is parallel to the motor/gearbox mounting flange. Shims may be used, before the motor/gearbox is installed, to correct minor misalignment.



4. Model V6

If the deck is not flat, a suitable mounting pad may be required to take up camber or sheer.

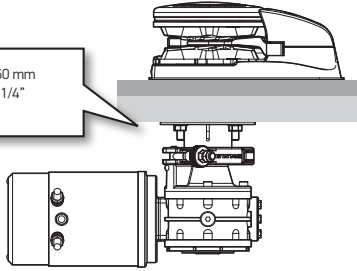
Notes

- ▶ If in doubt about the suitable construction of the pad consult a qualified marine engineer.
- ▶ Decks that are thin, or of foam or balsa laminate construction, will require reinforcement in order to spread the loads that will be applied to the deck while the windlass is in use

4.5 V1-6 Deck thickness

4.5-1

25 - 60 mm
1" - 2 1/4"



The deck is an integral component of the windlass it has to secure the windlass and be strong enough to cope with the high torque stresses involved in recovering the anchor.

1. Models V1-3

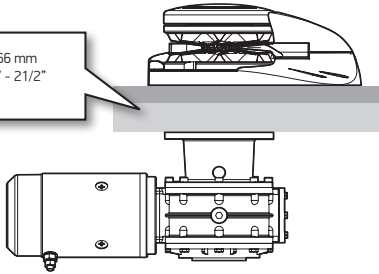
Lewmar recommends a minimum deck thickness of 25 mm (1"),

M8 Studs suit deck and packing thickness of 25-50 mm (1" - 2").

NOTE: An optional extended version can be used on decks up to 127 mm thick.

4.5-2

40 - 66 mm
1 1/2" - 2 1/2"



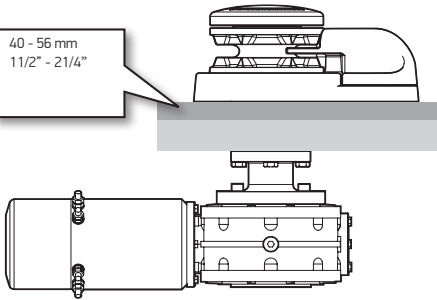
2. Models V4-5

Lewmar recommends a minimum deck thickness of 40 mm (1 1/2").

M10 studs suit deck and packing thickness of 40-66 mm (1 1/2" - 2 1/2").

4.5-3

40 - 56 mm
1 1/2" - 2 1/4"



3. Model V6

Lewmar recommends a minimum deck thickness of 40 mm (1 1/2").

M10 studs suit deck and packing thickness of 40-56 mm (1 1/2" - 2 1/4").

7.3 V1-3 manual recovery

- ▶ Gypsy only (optional manual recovery Kit No.66840054)
 - ▶ Gypsy/drum (optional manual recovery Kit No.66840056)
 - ▶ Sport versions: These units have no manual recovery.
1. Engage fall safe pawl.
 2. Place a Lewmar winch handle into gypsy drive cap/drum top nut and rotate anti-clockwise by half a turn.
 3. Remove handle and place into the bi-square in the cap and rotate clockwise.
 4. Once anchor is retrieved, ensure it is adequately secured to an independent strong point.

Gypsy/drum versions

These units use emergency manual recovery attachment 66840056. See document 66300003 RevA for fitting and operating instructions.

⚠ WARNING! Isolate the winlass using circuit breaker/isolator.

